

# KFC-6963 SERVICE MANUAL

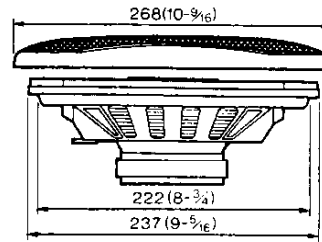
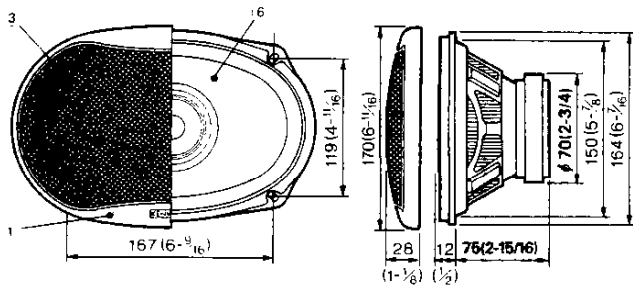
KENWOOD  
**Q.C.**  
COPY

©1991-12 PRINTED IN JAPAN  
B51-6398-10 (MC) 1517

- This service manual is the revised edition of KFC-6963.  
: Make sure that the shaded parts are changed from the first production.

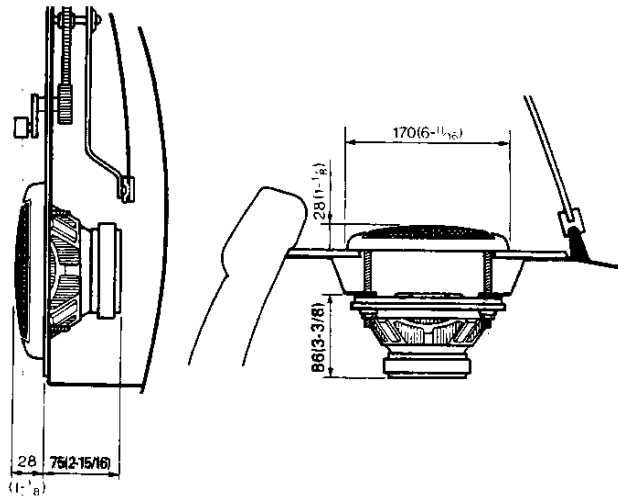
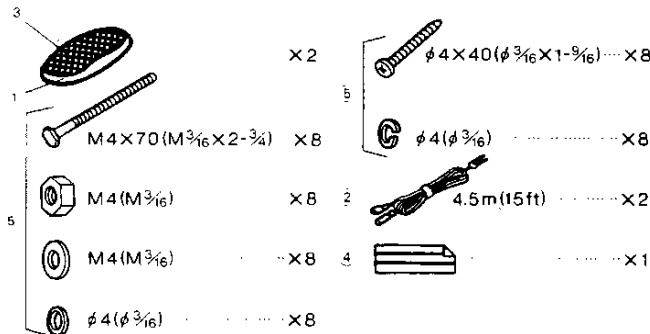
## REVISED

### EXTERNAL VIEW



unit: mm (inch)

### PARTS INCLUDED



### SPECIFICATIONS

Speakers	
Woofer	153×229 mm (6×9 in) Water Resistant Cone Type, <b>230g (8.2 oz)</b> Magnet
Tweeter	φ 70 mm (2-3/4 in) Water Resistant Cone Type
Peak Power	100 Watts
Frequency Response	35Hz~22,000Hz
Sensitivity	91dB/W at 1m
Impedance	4 Ohms
Weight Per Speaker with Grille	2,200g (4.9 lb)/Pair

We follow a policy of advancements in development.  
For this reason specifications may be changed without notice.

### PARTS LIST

\* New parts  
 Parts without Parts No. are not supplied.  
 Les articles non mentionnés dans le Parts No. ne sont pas fournis.  
 Teile ohne Parts No. werden nicht geliefert.

Ref. No.	New Parts	Parts No.	Description
①	*	B 06-0699-08	GILLE ASSY
②	*	E 30-5117-08	CORD SET
③	*	F 09-1038-08	PROTECTOR
④		J 69-0103-08	VISCOUS TAPE
⑤	*	N 99-1220-08	SCREW SET
⑥	*	T 15-0209-08	SPEAKER